



PREMIER LIGHTING LTD.

Custom Architectural Lighting Design and Manufacture

PART #	LAMP	VOLTAGE	COLOUR
WS60005-			
JOB NAME			TYPE

WS60005

16" Glass Lens, Three Clip ADA Quarter Sphere Sconce

1X13M,1X42E,2X13M CF; 60 INC;

STANDARD FEATURES

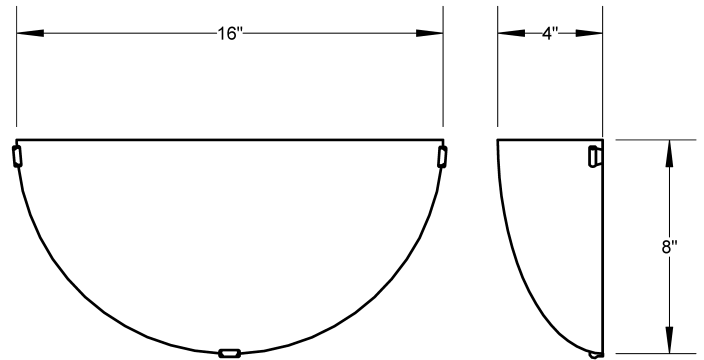
- ADA compliant (wheelchair access approved)
- Listed for dry locations
- 120 volt, 60Hz magnetic ballasts
- Marbled glass lens

OPTIONS

- Power Smart, Energy Star, Title 24 approvals
- Quick change, twist-in electronic ballasts
- "Unbreakable" polycarbonate lenses
- 120-277/347 volt electronic ballasts
- Bulbs supplied upon request
- Matches ceiling fixture CF81907, 08, 09

COLOURS

- WHITE, OIL RUBBED BRONZE or PEWTER spring clip lens mounts



Front View

Side View

*Select email PDF button to create a saveable PDF of this form

WS60005		ORDERING INFORMATION			
METAL HALIDE <input type="text"/>	HIGH PRESSURE SODIUM <input type="text"/>	COMPACT FLUORESCENTS <input type="text"/> <small>M= Magnetic E= Electronic</small>	INDUCTION <input type="text"/>	LED's <input type="text"/>	INCANDESCENT <input type="text"/>
*Your last lamp choice shows at the top of the page automatically. Please leave other choices blank.					
VOLTAGE <input type="text"/>	CLICK TO VIEW PREMIER COLOURS CHOOSE COLOUR <input type="text"/>	OPTIONS <input type="checkbox"/> High Power Factor <input type="checkbox"/> Dimmable <input type="checkbox"/> Custom Colour (will supply colour chip) <input type="checkbox"/> Surge Protector <input type="checkbox"/> Electronic Ballast			

ADDITIONAL NOTES

[VIEW TERMS & CONDITIONS](#)