



PART #	LAMP	VOLTAGE	COLOUR
BP52741			
JOB NAME			TYPE

BP52741

Double Shade Guarded Glass Lantern

50MH,70MH; 50HPS,70HPS; 1x32E,1x42E CF; 100 INC

STANDARD FEATURES

- Spun aluminum shades
- ¾" shaped arms
- Wall mount plates
- Cast aluminum guards
- Tempered glass lenses
- Listed for wet locations
- 120 volt, 60Hz magnetic ballasts



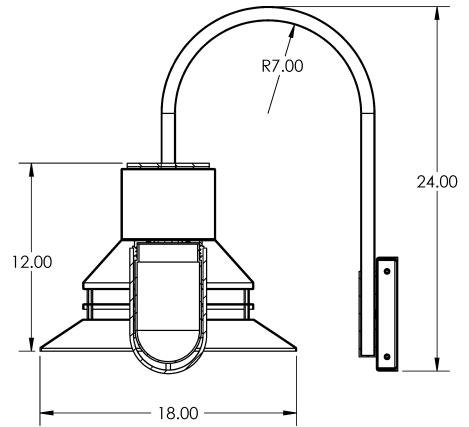
*Custom arm shown above

OPTIONS

- Power Smart, Energy Star, Title 24 approvals
- Custom arm configurations
- 14", 16" or 18" diameter shades
- Remote or wall mounted ballast compartments
- 120-277/347 volt electronic ballasts
- Bulbs supplied upon request

COLOURS

- Available in standard Premier colours
- Custom Colours: provide paint chip or RAL# for a custom colour (**CUST**)
- Please specify Premier colour or provide RAL# in notes below



*Select email PDF button to create a saveable PDF of this form

BP52741	ORDERING INFORMATION				
METAL HALIDE <input type="text"/>	HIGH PRESSURE SODIUM <input type="text"/>	COMPACT FLUORESCENTS <input type="text"/> <small>M= Magnetic E= Electronic</small>	INDUCTION <input type="text"/>	LED's <input type="text"/>	INCANDESCENT <input type="text"/>
*Your last lamp choice shows at the top of the page automatically. Please leave other choices blank.					
VOLTAGE <input type="text"/>	CLICK TO VIEW PREMIER COLOURS CHOOSE COLOUR <input type="text"/>	OPTIONS <input type="checkbox"/> High Power Factor <input type="checkbox"/> Dimmable <input type="checkbox"/> Custom Colour (will supply colour chip) <input type="checkbox"/> Surge Protector <input type="checkbox"/> Electronic Ballast			

ADDITIONAL NOTES

[VIEW TERMS & CONDITIONS](#)