



PREMIER LIGHTING LTD.

Custom Architectural Lighting Design and Manufacture

PART # HB900	LAMP	VOLTAGE	COLOUR
JOB NAME			TYPE

HB90001, HB90002

Deluxe High Bay

8LED70, 20LED70, 40LED35, 40LED70; 80IND, 120IND, 200IND, 250IND, 300IND

STANDARD FEATURES

- Diecast aluminum ballast box
- External heat fins
- Malleable metal hook
- Spun aluminum reflector
- Rated for dry locations

LED FEATURES

- 8 LED Board @ 700mA = 19w, 2371lm, 4100k, 85CRI typical
- 20 LED Board @ 700mA = 47w, 5928lm, 4100k, 85CRI typical
- 40 LED Board @ 350mA = 47w, 6528lm, 4100k, 85CRI typical
- 40 LED Board @ 700mA = 93w, 11856lm, 4100k, 85CRI typical

OPTIONS

- Power Smart, Energy Star, Title 24 approvals
- 100,000 hour induction lamp
- Step down transformers for 347 Volts
- Surge protector

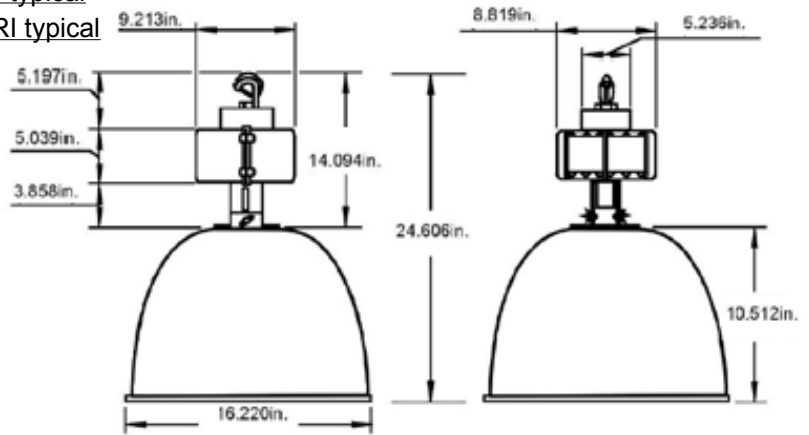
COLOURS

- Available in standard WHITE powder coat ballast box only

[CLICK TO VIEW PREMIER COLOURS](#)



HB90001 is 16" in diameter
HB90002 is 22" in diameter



*Select email PDF button to create a saveable PDF of this form

HB90001-2

ORDERING INFORMATION

METAL HALIDE <input type="text"/>	HIGH PRESSURE SODIUM <input type="text"/>	COMPACT FLUORESCENTS <input type="text"/> <small>M= Magnetic E= Electronic</small>	INDUCTION <input type="text"/>	LED's <input type="text"/>	INCANDESCENT <input type="text"/>
*Your last lamp choice shows at the top of the page automatically. Please leave other choices blank.					
VOLTAGE <input type="text"/>	CHOOSE COLOUR <input type="text"/>	OPTIONS	<input type="checkbox"/> High Power Factor	<input type="checkbox"/> Dimmable	
		<input type="checkbox"/> Custom Colour (will supply colour chip)	<input type="checkbox"/> Surge Protector	<input type="checkbox"/> Electronic Ballast	

ADDITIONAL NOTES

[VIEW TERMS & CONDITIONS](#)